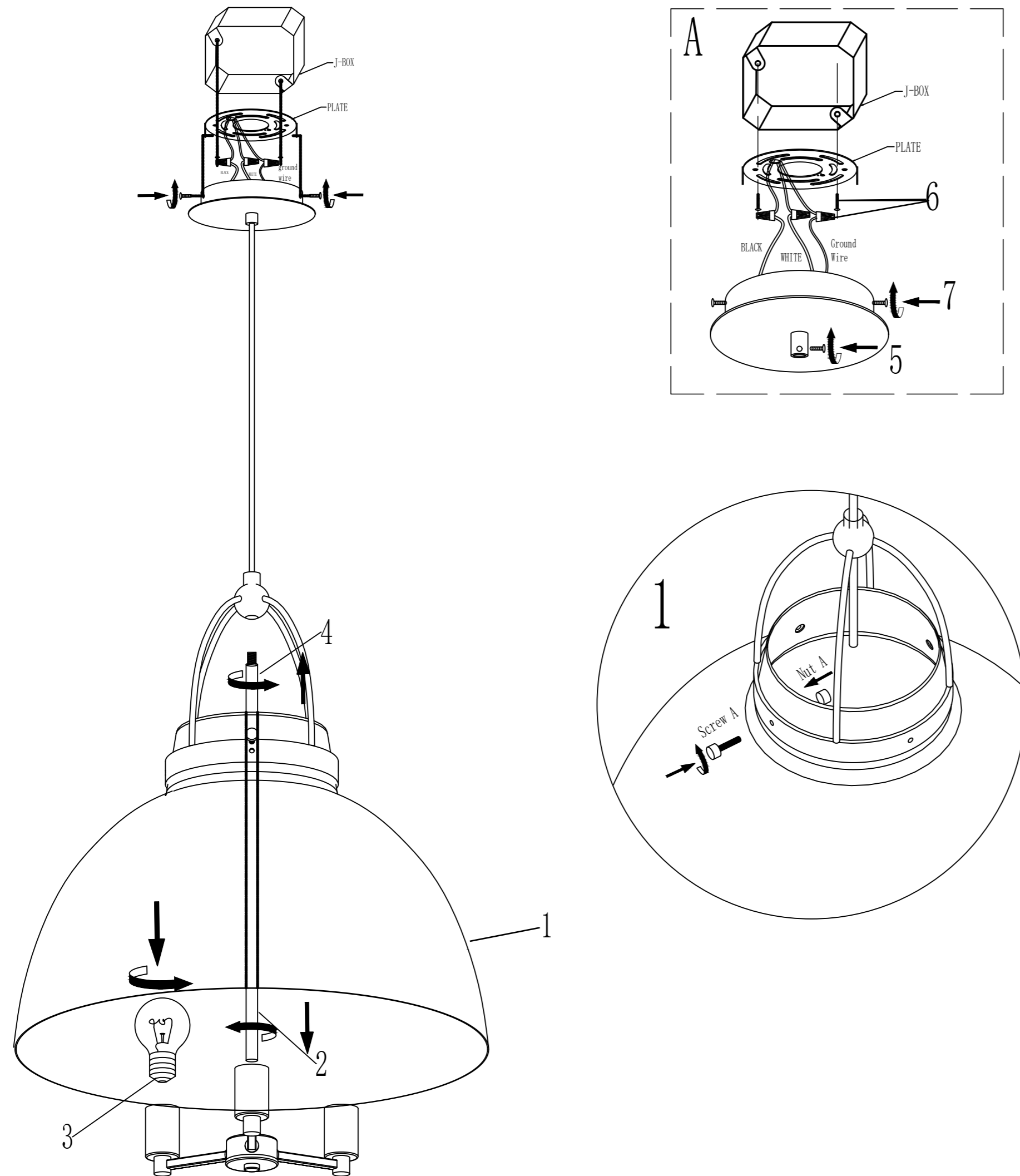


# quorum

## INSTALLATION INSTRUCTION

823-3-0880 / 823-3-59 / 823-3-5980



**WARNING: TO AVOID RISK OF ELECTRICAL SHOCK, BE SURE TO SHUT OFF POWER PRIOR TO INSTALLING OR SERVICING THIS FIXTURE.**

NOTE: Before installing, consult local electrical codes for wiring and grounding requirements

### Installation Steps

Carefully unpack your new fixture and lay out all the parts on a clean surface. Take care not to lose any small parts necessary for installation.

1. Connect hardware frame to shade by screw A and A nut.
2. Connect pole on top of hardware frame.
3. Install bulb - Refer to lamping label for wattage information.
4. Connect pole on bottom of frame. Pull lead wire through pole from light cluster.
5. Pull lead wire through canopy to desired fixture height and cut off excess wire (Be sure to leave enough wire to make connection in J-box). Set wire length with screw on underside of canopy. This will ensure fixture is secure until canopy is connected to mounting plate. For added security, tie a knot in the wire inside of canopy to prevent slipping through canopy set screw.
6. Thread building wires through mounting plate then secure mounting plate with tapping screws and J-box screws.  
**Make wire connections.**  
Refer to driver label for wire identification - Attach ground wire to the mounting plate with a green ground screw, then connect building ground wire using a wire nut.
  - Attach white wire (neutral) from Light to white wire from building using a wire nut.
  - Attach black wire (hot) from Light to black wire from building using a wire nut.
  - Tuck the wire connections neatly into the junction box.
7. Place fixture over mounting plate and reinstall fixture screws to securely mount fixture to ceiling.
8. Turn power back on at fuse circuit box.